

Medium Intensity Runway Reflector

COMPLIES WITH FAA AC 150/5345-39D



The iSeries Medium Intensity Runway Reflector is secured to a molded polyethylene double sided base. The molded polyethylene base will accept the retro-reflective sheath. This option allows for simple and inexpensive upgrading from Medium Intensity to High Intensity. The visibility range of the MIRR is approximately 2-4 NM and, in most cases, outperforms lighting intensities of electrically powered systems. It requires NO electricity and NO ground support.

The iSeries Medium Intensity Runway Reflector has been designed primarily for night operation in remote and/or unlighted airports or as an excellent backup to existing illuminated airfields. It offers a unique and patented design to allow superior visibility of runway edge, even at extreme distances or angles. The Retro-Reflective Markers are available in different colors or color combinations.

iSeries

FEATURES & BENEFITS

INCREASE SAFETY

The Medium Intensity Runway Reflector provides a highly reflective, offering a patented design to allow superior visibility of runway edge, even at extreme distances or angles.

DECREASE COSTS

With a low cost up front capital investment, exponential savings are realized over time through the elimination of electricity, maintenance and labour costs.

COMPLIANCE

The Medium Intensity Runway Reflector is compliant to FAA AC 150/5345-39D.

WEATHER PROTECTION

The Medium Intensity Runway Reflector delivers reliable operations, manufactured out of high-grade polyethylene & resistant to corrosion.



Web: www.aviationrenewables.com
 Email: arc@aviationrenewables.com
 Phone: +1 (250) 590 1272

SPECIFICATIONS

OPERATION

Compliance	FAA AC 150/5345-39D
Configuration	Medium Intensity Retro Reflective Taxiway Marker
Visible Distance	Range of 2-4 NM approximately

MECHANICAL

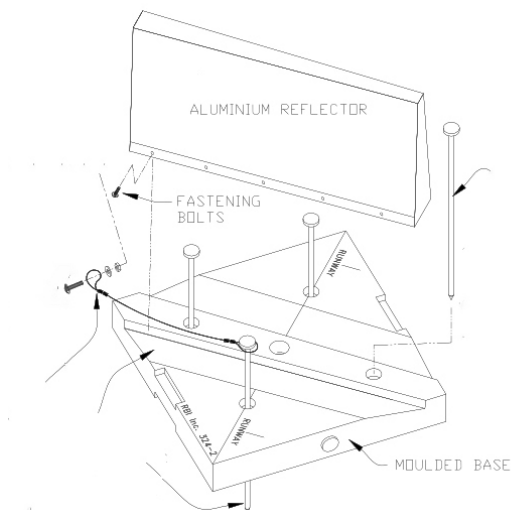
Color	White or available custom color
Body	Molded polyethylene UV stabilized
Reflective Strip	Rigid Anodized Aluminum Sheath
Mounting Accesories	Polyethylene base
Dimensions	Height 410mm/ Depth 135mm
Weight	9 lbs (4.1 kg) approx.
Frangible	Body and mounting accesories

ENVIRONMENTAL

Weather Proof	Ice, snow and rain
Wind Load	200 kph (125 mph)

WARRANTY

Warranty	1 year
-----------------	--------



Web: www.aviationrenewables.com
Email: arc@aviationrenewables.com
Phone: +1 (250) 590 1272