



aviationrenewables

SPECS COMPACT SOLAR RUNWAY LIGHT



The A704 meets traditional airfield requirements in an easy-to-install, low maintenance package.

- Third-party tested for ICAO and FAA compliance
- Long-lasting batteries
- Available in 3 battery sizes

Applications

- Medium-intensity runway edge & threshold (MIRL)
- Simple approach lighting
- NVG operations, covert-only mode
- Emergency or temporary lighting

Advanced Design

- Improved optical efficiency with latest LEDs
- High-efficiency monocrystalline solar panels
- Reduced standby power consumption
- Multiple battery sizes for best value-for-performance
- Optional wireless control provides remote operation using either 900 MHz or 2.4 GHz communication

Easy Installation

Limited crew. No trenching. No airfield interruptions. Just place the A704 and it emits light dusk-to-dawn while maintaining its battery.

Low Maintenance

The A704 integrates solar panels, battery, electronics and LED light source into a compact, stand-alone unit requiring minimal maintenance for 7 years on average.

Reliable

The Energy Management System (EMS) monitors all operations to provide consistent output in the harshest environments. Testing to ICAO, FAA and MIL specifications ensures high performance for many years.

Trusted

With thousands of installations worldwide, Flash Technology solar LED lights operate year-round at over 500 airports and military bases.



Address
533b Chatham St Victoria,
BC Canada, V8T 1E1



Web: www.aviationrenewables.com
Email: arc@aviationrenewables.com
Phone: +1 (250) 590 1272



aviationrenewables

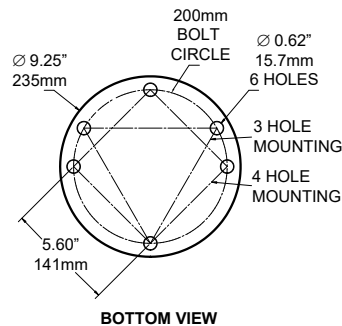
SPECS COMPACT SOLAR RUNWAY LIGHT

SPECIFICATIONS

Compliance	ICAO MIRL (Annex 14, Vol. 1, 5.3.9.9)
	FAA L-861 MIRL (AC 150/5345-46, EB67)
	FAA L-861E & L-861SE MIRL (AC 150/5345-46, EB67)
	FAA L-860 LIRL (AC 150/5345-46, EB67)
	FAA L-863 Portable (AC 150/5345-50)
	FAA L-858 Sign Lighting (AC 150/5345-44)
	FAA L-810 Red (AC 150/5345-43F)
Optical	ICAO Red Low-Intensity Obstacle Light Type A and Type B (Annex 14, 5th Edition)
	Red output for airport barricade and construction applications (CFR Part 139, FAA AC 150/5370-2E)
Solar Panel	High-powered LEDs meet IES LM-80 lumen maintenance ensuring consistent photometrics for life of product
	ICAO, SAE25050 (FAA) and FAA EB 67 compliant chromaticity
	NVG-compatible infrared LEDs
Battery	Steady-on and flash, IR only mode
	High-efficiency solar cells with blocking diodes
Energy Management System (EMS)	Maximum power point tracking with temperature compensation (MPPT-TC) for optimal energy collection in all solar conditions
	Pure-lead VRLA AGM battery with manufacturer operating range -85 to 176 °F (-65 to 80 °C)
Automatic Light Control (ALC)	Onboard battery status
	Optional port for battery charging and cabled operation
Construction	Designed for 5-year battery life; Replaceable and recyclable
	2500 cycles or 7-year lifetime on average
Temperature	Intelligent, microprocessor
	Onboard diagnostics and data-logger
Wind Loading	Push button interface for local control
	Autonomous (dusk-to-dawn), temporary, continuous and emergency modes
Ice Loading	When enabled, automatically adjusts to low levels of sunlight to ensure continuous operation
	Premium, UV-resistant polycarbonate lens (jet blast resistant glass lens available)
Shock & Vibration	Corrosion-resistant, powder-coated aluminum chassis with integrated handle
	Waterproof, vented battery compartment
Ingress	-22 to 122 °F (-30 to 50 °C) Optimal
	-40 to 176 °F (-40 to 80 °C) Maximum

WEIGHTS AND DIMENSIONS

COMPACT 12.4 lbs (5.6 kg) Battery (60X) - 4.2V, 15 Ahr	
STANDARD 16.4 lb (7.4 kg) Battery (96E) - 4.2V, 24 Ahr	
LARGE 24.5 lbs (11.1 kg) Battery (200BC) - 4.2V, 50 Ahr	



CONFIGURATION

Model	Color	Battery Size
A704	White/IR	Compact Standard Large
	White/Yellow/IR	
	Red/Green/IR	
	Green/IR	
	Yellow/IR	
	Red/IR	
	White/Red/IR	
Lens	Red/Yellow/IR	Charge Port
	Green/Yellow/IR	
	Control	
Polycarbonate	Non-wireless	None
Tempered Glass	Wireless (900 MHz)	Charge Port
	Wireless (2.4GHz)	Military Charge Port



Address
 533b Chatham St Victoria,
 BC Canada, V8T 1E1



Web: www.aviationrenewables.com
Email: arc@aviationrenewables.com
Phone: +1 (250) 590 1272