



aviationrenewables

# SPECS LED HELIPAD FLOODLIGHT

The **AV-HL-FL** Heliport Floodlight has been specifically designed for helipads to provide uniform surface lighting where the TLOF and FATO lights need to be supplemented with floodlighting.

## Key Features:

- Optimised with standard cable interface.
- Dimming capability with standard alarm output.
- Options to suit all applications AC, DC, and solar.
- Reduced lead times with standardised build.



## AC, DC, and solar power input options

The wired version comes standard with an easy to install interface panel. It comes with a discrete alarm output and dimming capabilities in order to integrate any control system, including our Avlite standardised control range.

The solar powered floodlight comes with an integrated solar and battery system, which provides autonomous operation in th most locations. Each Solar Floodlight comes with interfaces of RF (Radio Frequency) Control and is designed to form part of a larger helipad lighting system (HLS). Control is achieved via either a remote Avlite Control Enclosure or an Avlite Handheld Controller.

## ICAO Compliant

Designed to meet the standards of ICAO Annex 14 Volume 2 and FAA Engineering Brief 87 Heliport Perimeter Light for Visual Meteorological Conditions.

## Plug & Play Design

The helipad floodlights are compatible with existing infrastructure and come with a simple plug and play connection making them simple to install. Housed in a weatherproof, powder-coated aluminium enclosure to withstand the harshest environments, the assembly has a low profile and is compatible with our standard frangible mountings.

## Optional Heliport Lighting System

An optional Heliport Lighting Control (AV-HL-CTRL) can be supplied and integrated with the inset helipad lights to provide central control and/ or remote operation functionality for a variety of helipad operations.



**Address**  
533b Chatham St Victoria,  
BC Canada, V8T 1E1



**Web:** [www.aviationrenewables.com](http://www.aviationrenewables.com)  
**Email:** [arc@aviationrenewables.com](mailto:arc@aviationrenewables.com)  
**Phone:** +1 (250) 590 1272



AV-HL-FL

AC

DC

PV

**Light Characteristics**

Light Source	LED		
Available Colours	White		
Intensity Adjustments	Visible Option: 0 to 100% dimmable		
LED Life Expectancy (hours)	>100,000		

**Electrical Characteristics**

Circuit Protection	Integrated		
Input Voltage	90-264VAC	12-36VDC	12V
Input Frequency	50-60Hz	-	-
Temperature Range	-40 to 55°C (-40 to 131°F)		
Transport and Storage Temperature Range	-40 to 55°C (-40 to 131°F)		

**Solar Characteristics**

Solar Module Type	-	-	Multicrystalline
Output (Watts)	-	-	20
Charging Regulation	-	-	PWM
Battery Type	-	-	SLA
Battery capacity (Ah)	-	-	36 (2 x 18Ah Batteries)
Nominal Voltage	-	-	12

**Physical Characteristics**

Height (inches/mm)	9.65 / 245	9.65 / 245	9.65 / 245
Width (inches/mm)	15.94 / 405	15.94 / 405	15.94 / 405
Length (inches/mm)	12.36 / 314	12.36 / 314	8.98 / 228
Mass (lbs/kg)	12.57 / 5.6	11.02 / 5.0	12.35 / 5.6
AV-HL-SBA-FL (Height, Width, Length, Mass) (applicable for the AV-HL-FL-PV only) (inches/mm)	9.72 / 247, 27.64 / 702, 14.88 / 378, 50.27 / 22.8		
Mounting (standard with product) AV-ACC-MA-04	All variants (including solar body assembly) are mounted on a frangible mount solution		
Service Life	Up to 12 years		

**Environmental Standards**

Wind Speed	Up to 160kph / 100mph
Humidity	0 to 100%, MIL-STD-810F

**Compliance**

EMC	EN61000-6-4:2012, EN61000-6-2:2019
Quality Assurance	ISO9001:2015
Waterproof	IP66
Trademarks	AVLITE® is a registered trademark of Avlite Systems

**Other**

Warranty *	5 year warranty on light fixtures
Options Available	Helipad Lighting Controller (AV-HL-CTRL-T1 or AV-HL-CTRL-T2) 5Kg non-slip rubber tile: AV-ACC-MA-13 Avlite Handheld Controller - Solar only (available for the AV-HL-FL-PV only) Smart Charger to suit 12V SLA Battery (AV-ACC-CH-XX-02) - Solar only (available for the AV-HL-FL-PV only) External charging cable - Solar only (available for the AV-HL-FL-PV only)
Terms and Conditions	Please refer to the light installation manual for further specifications. Warranty Terms and Conditions - <a href="http://www.avlite.com">www.avlite.com</a>

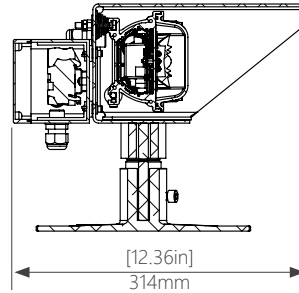
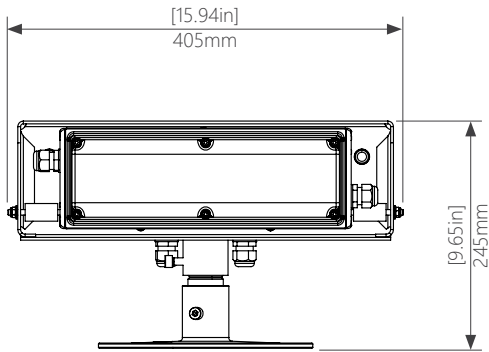


aviationrenewables

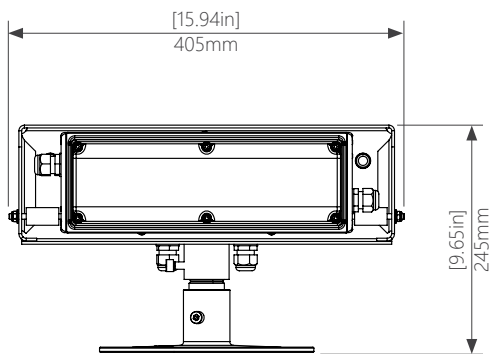
# SPECS LED HELIPAD FLOODLIGHT

## Technical Illustrations

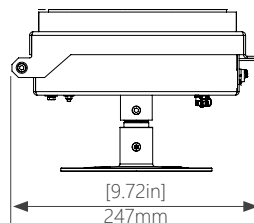
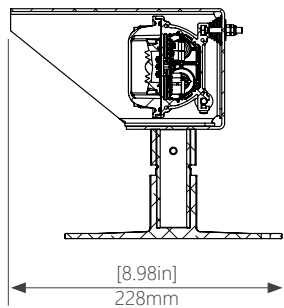
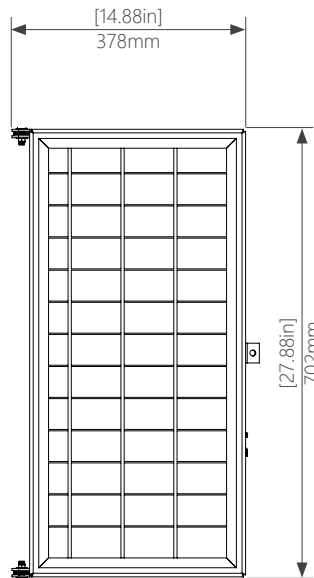
AV-HL-FL-DC and UM



AV-HL-FL-PV



AV-HL-SBA-FL



## Ordering This Product

AV-HL-FL-[XX]-[XX]



- 1** Product Number
- 2** Power Input
  - PV Self-Contained Solar
  - DC DC Input
  - UM AC (Universal Mains Input)
- 3** Option Configuration
  - 00 Base Build

**Address**  
533b Chatham St Victoria,  
BC Canada, V8T 1E1



**Web:** [www.aviationrenewables.com](http://www.aviationrenewables.com)  
**Email:** [arc@aviationrenewables.com](mailto:arc@aviationrenewables.com)  
**Phone:** +1 (250) 590 1272