



aviationrenewables

SPECS SOLAR LED HAPI SYSTEM

The LED HAPI is the most advanced on the market and has the widest range of configurations:

- Visible and IR output
- Portable and permanent
- ICAO / FAA / STANAG Compliant
- Several power options

Applications

Permanent helipads
Temporary helipads
Emergency helipads
Hospital helipads
Remote helipads
Military & NVG operations

Advanced Optics

The HAPI uses patented, LED-based optics to achieve the lowest power consumption, highest intensity and sharpest green/red transition. It exceeds ICAO / FAA / STANAG requirements to provide a clear approach path to the aviator.

Easy Installation

The HAPI works equally well in permanent or temporary locations. Permanent mounting is easy with standard frangible mounting. Temporary deployment is fast with retractable legs and a lightweight, compact form factor.

Power Supply Versatility

The low power consumption of the HAPI makes it mate well with several available power supplies:

- Solar kit
- Generator kit
- Battery kit
- AC only

Controllable

Optional wireless control provides on-demand operation from up to 4 km (2.5 m) away. There is also 3 and 5-step, wired control and local control available.

Trusted

Deployed around the globe, from military to civilian airfields and from the Middle East to the Arctic Circle, the HAPI has proven it is robust. LED keypad and LED indicators designed for use with gloves. Removable, replaceable antenna.



Address
533b Chatham St Victoria,
BC Canada, V8T 1E1

FLASH
TECHNOLOGY

Web: www.aviationrenewables.com
Email: arc@aviationrenewables.com
Phone: +1 (250) 590 1272



aviationrenewables

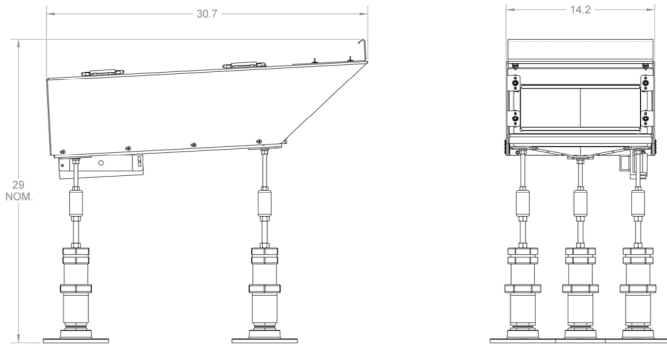
SPECS SOLAR LED HAPI SYSTEM

SPECIFICATIONS

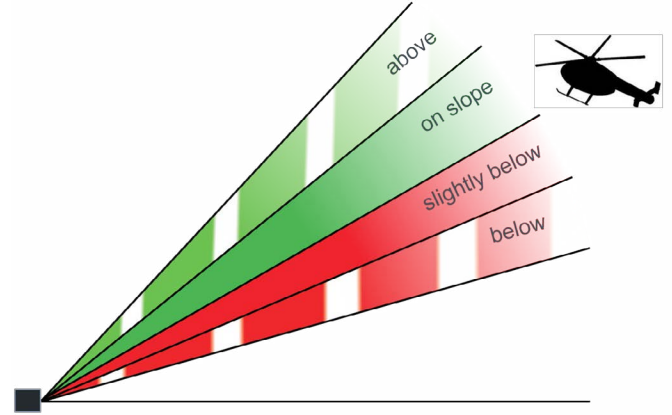
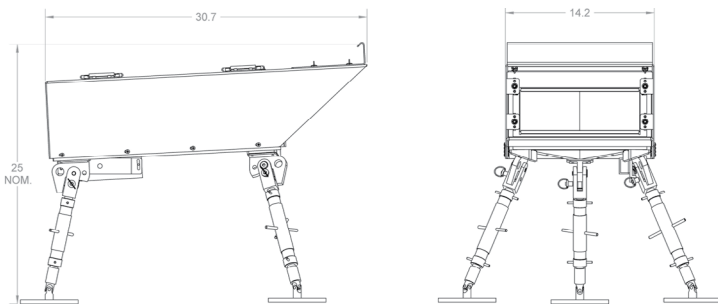
Optical	High-power LEDs with proper heat management ensure consistent photometrics for life of product
	NVG-compatible infrared (IR) LEDs
	FAA A C 150/5390-2C HAPI compliant
	ICAO Annex 14, Volume 2 HAPI compliant
	STANAG HAPI compliant
Power Options	Ultra-low power consumption make solar possible
	Solar kit: Solar panels and mounting, batteries and enclosures; air transportable container; AC input for backup
	Generator kit: Gas or diesel generator; AC input for backup
	Battery kit: Batteries & enclosures; AC input for backup
	AC only: 100 – 240 VAC 50/60 Hz; 3 and 5-step current input
Control Options	Non-Wireless: AC input of 3 and 5-step current; local control
	Wireless: 4 km (2.5 m) control range with optional Handheld Controller; local control
Construction	Powder coated aluminum chassis
	Aviation orange standard, yellow and other colors available
	Stainless steel and anodized aluminum hardware
	Integrated digital level
Temperature	-35 to 55 °C (-31 to 131 °F) ambient
Wind Loading	161 kph (100 mph)
Ingress	NEMA 4 & EN 60529 IP 55 (IP 66 available with marine upgrade kit)

DIMENSIONS

PERMANENT



PORTABLE



SIDE VIEW HAPI



CONFIGURATION

MODEL	MOUNTING ▼	OUTPUT ▼	POWER ▼	CONTROL ▼
HAPI	PERMANENT PORTABLE	VISIBLE VISIBLE / IR	SOLAR KIT GENERATOR KIT BATTERY KIT AC	NON-WIRELESS WIRELESS

Options: carrying case, tactical battery pack, tilt switch (for FAA), low temperature arctic kit, marine upgrade kit, custom chassis color



Address
533b Chatham St Victoria,
BC Canada, V8T 1E1



Web: www.aviationrenewables.com
Email: arc@aviationrenewables.com
Phone: +1 (250) 590 1272